



REFRIGERATION

SERVING THE FOOD INDUSTRY SINCE 1951

## 27-INCH UNDER COUNTER REFRIGERATOR

Item: 50054 Model: RE-CN-0006-HC

*The perfect solution to add cold storage space for frozen products and ingredients conveniently within reach*



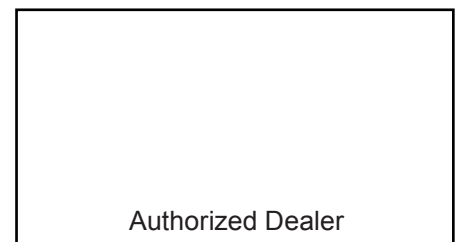
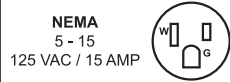
### FEATURES

- Stainless steel interior and exterior
- Refrigeration system keeps food at safe temperatures between 33°F and 41°F / 0.5°C to 5°C
- Self-closing doors with 90 degree stay-open feature
- Adjustable heavy-duty PVC coated shelves
- Digital control system makes it easy to adjust temperature set point and defrost frequency
- This unit uses HYDRO-CARBON R290 refrigerant, which is environmentally friendly and more efficient



### WARRANTY

2 YEARS PARTS & LABOR  
5 YEARS ONLY ON COMPRESSOR



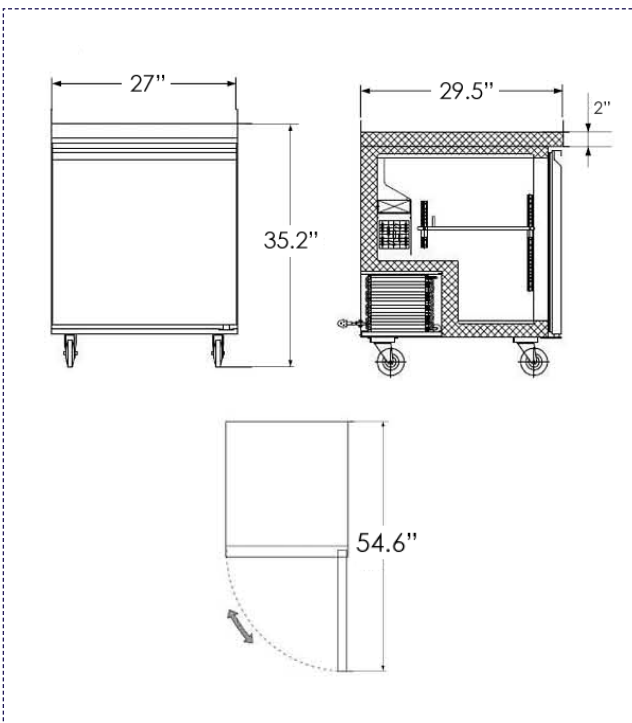
Authorized Dealer

# REFRIGERATION

27-INCH UNDER COUNTER REFRIGERATOR | RE-CN-0006-HC

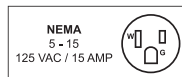


## TECHNICAL DRAWINGS AND DIMENSIONS



## PRODUCT SPECIFICATIONS

ITEM NUMBER	<b>50054</b>
MODEL	RE-CN-0006-HC
DESCRIPTION	27-inch Under Counter Refrigerator
TEMPERATURE RANGE	33°F - 41°F / 0.5°C - 5°C
POWER	1/6 HP
REFRIGERANT	R290
ISOLATION MATERIAL	Cyclopentane
COOLING SYSTEM	Ventilated
DEFROSTING	Automatic
TYPE OF CONTROLLER	Digital
SELF-CLOSING DOOR	Yes
AMPS	1.9
NUMBER OF DOORS	1
NUMBER OF SHELVES	1
SHELF MATERIAL	Coated steel
SHELF LOADING (KG/PC)	20 kg. / 44 lbs.
ELECTRICAL	115V / 60Hz / 1Ph
INTERIOR DIMENSIONS (WDH)	22.2" x 22.8" x 23.5" 565 x 580 x 597 mm
OVERALL DIMENSIONS (WDH)	27" x 29.5" x 35.2" 685 x 750 x 895 mm
PACKAGING DIMENSIONS	30 3/8" x 32 5/8" x 38 5/8" 770 x 830 x 980 mm
NET VOLUME (CU. FT.)	6.3 cu. ft. / 177 L
WEIGHT	77 kg. / 169 lbs.
PACKAGING WEIGHT	100 kg. / 220 lbs.



## OMCAN INC.

Telephone: 1-800-465-0234

Fax: (905) 607-0234

Email: sales@omcan.com

Website: www.omcan.com



Follow us to keep up to date with the latest news and offers



2016.E.O.E